

IST8308

3D Magnetometer

Datasheet

Table of Contents

- 1. GENERAL DESCRIPTION 3**

- 2. BLOCK DIAGRAM, PACKAGE DIMENSION AND APPLICATION CIRCUIT .. 4**
 - 2.1. Block diagram.....4
 - 2.2. Package Dimensions and Pin Description4
 - 2.3. Application Circuit.....6

- 3. ELECTRICAL SPECIFICATIONS..... 7**
 - 3.1. Absolute Maximum Ratings7
 - 3.2. Recommended Operating Conditions7
 - 3.3. Electrical Specifications7
 - 3.4. Magnetic Sensor Specifications.....8
 - 3.5. Power On Reset (POR) Specifications8

- 4. TECHNOLOGY OVERVIEW 9**
 - 4.1. AMR Technology.....9
 - 4.2. High Reliability Planarized Structure Design.....9
 - 4.3. Ultra-low Hysteresis Design.....9
 - 4.4. Magnetic Setting Mechanism9

- 5. ORDERING INFORMATION 10**

- 6. LEGAL DISCLAIMER..... 10**
 - 6.1. Warranty and Liability Disclaimer.....10
 - 6.2. Application Disclaimer10
 - 6.3. Disclaimer Regarding Changes10

1. General Description

iSentek IST8308 is a 3-axis digital magnetometer with 3.0 x 3.0 x 1.0 mm³, 16-pin LGA package. It is an integrated chip with 3-axis magnetic sensors, digital control logic, built-in temperature compensation circuit and self-test function. IST8308 provides an I²C digital output with fast mode up to 400 kHz. The high output data rate, ultra-low noise, ultra-low hysteresis, and excellent temperature drift features make it a perfect candidate for high accuracy applications.

Features

- Ultra-high sensitivity (maximum 1320 LSB/Gauss)
- Built-in five operation modes to fulfill user's requirements (standby mode, single measurement mode, continuous mode, self-test mode, suspend mode)
- Built-in noise suppression filter to provide ultra-low noise performance
- I²C slave, Fast Mode up to 400 kHz
- 14-bit data output
- Dynamic range of maximum ± 500 uT.
- High output data rate of 200 Hz
- Ultra-low hysteresis (< 0.1 %FS)
- Ultra-low sensitivity temperature drift (± 0.023 %/°C)
- Ultra-low offset temperature drift (0.017 uT/°C)
- Wide operating temperature range
- High precision temperature compensation
- Software and algorithm support are available (for tilt compensation and soft/hard-iron calibration)
- RoHS, HF and TSCA compliant

Applications

- | | |
|----------------------------------|---------------------------|
| ▪ Quadcopter/Drone Applications | ▪ Industrial Applications |
| ▪ Augmented Reality Applications | ▪ Magnetometry |
| ▪ Virtual Reality Applications | ▪ IOT devices |
| ▪ Location Based Services | ▪ Heading |
| ▪ Navigation Applications | ▪ Gaming |

2. Block Diagram, Package Dimension and Application Circuit

2.1. Block diagram

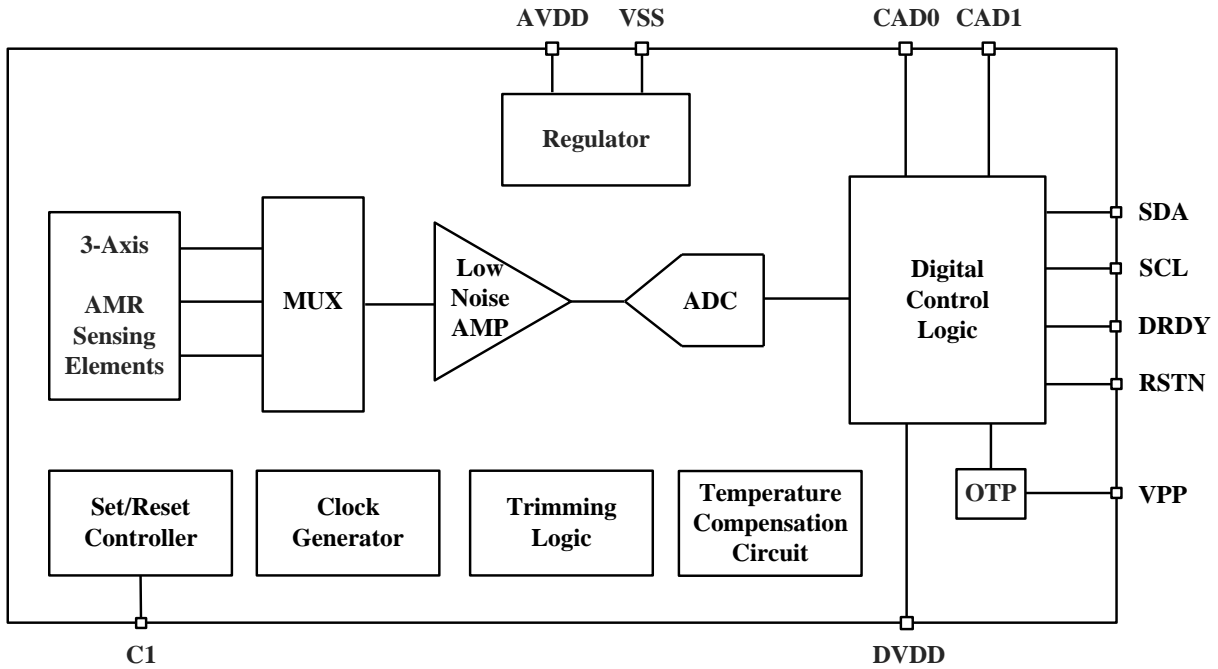
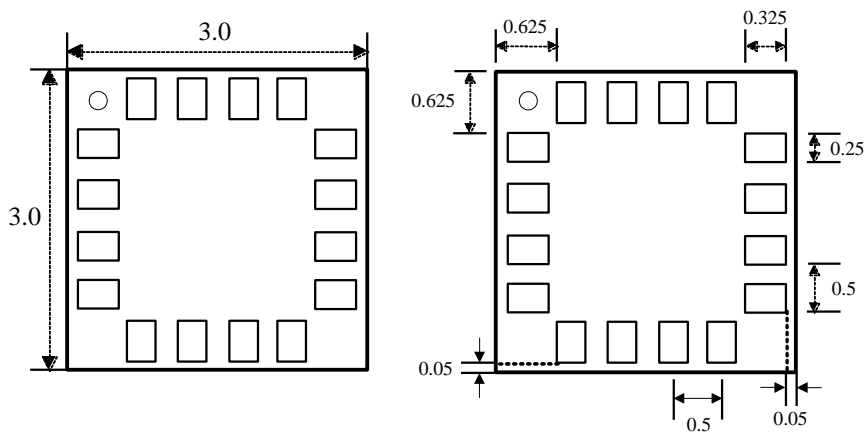


Figure 1. Block Diagram

2.2. Package Dimensions and Pin Description

IST8308 LGA Top View (Looking Through)



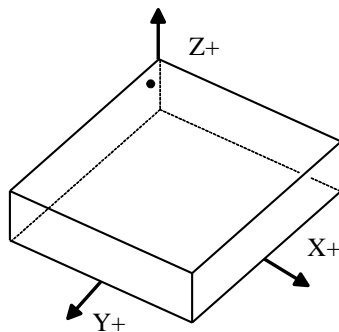
Unit: mm

Tolerance: ± 0.1 mm

IST8308 LGA Side View



IST8308 3D Top View



Unit: mm

Tolerance: ± 0.1 mm

Pin ^{*1}	Name	Function
1	SCL	I ² C serial clock
2	AVDD	Analog supply voltage, 2.4 ~ 3.6 V
3	NC	Not use
4	NC	Not use
5	CAD0	I ² C slave address
6	CAD1	I ² C slave address
7	VPP	Test pin, connect to DVDD or keep floating ^{*2}
8	NC	Not use
9	VSS	GND
10	C1	Set/Reset function, 4.7 uF
11	VSS	GND
12	NC	Not use
13	DVDD	Digital supply voltage, 1.72 ~ 3.6 V
14	RSTN	Reset pin, resets registers by setting it to “Low”. Internally pulled to “High” for floating connection. MCU connection is suggested (but not necessary).
15	DRDY	Data ready indication, output pin only
16	SDA	I ² C serial data

^{*1} Please refer to Figure 2 on datasheet page 7.

^{*2} Please keep RSTN and CAD1 floating if VPP is floating.

2.3. Application Circuit

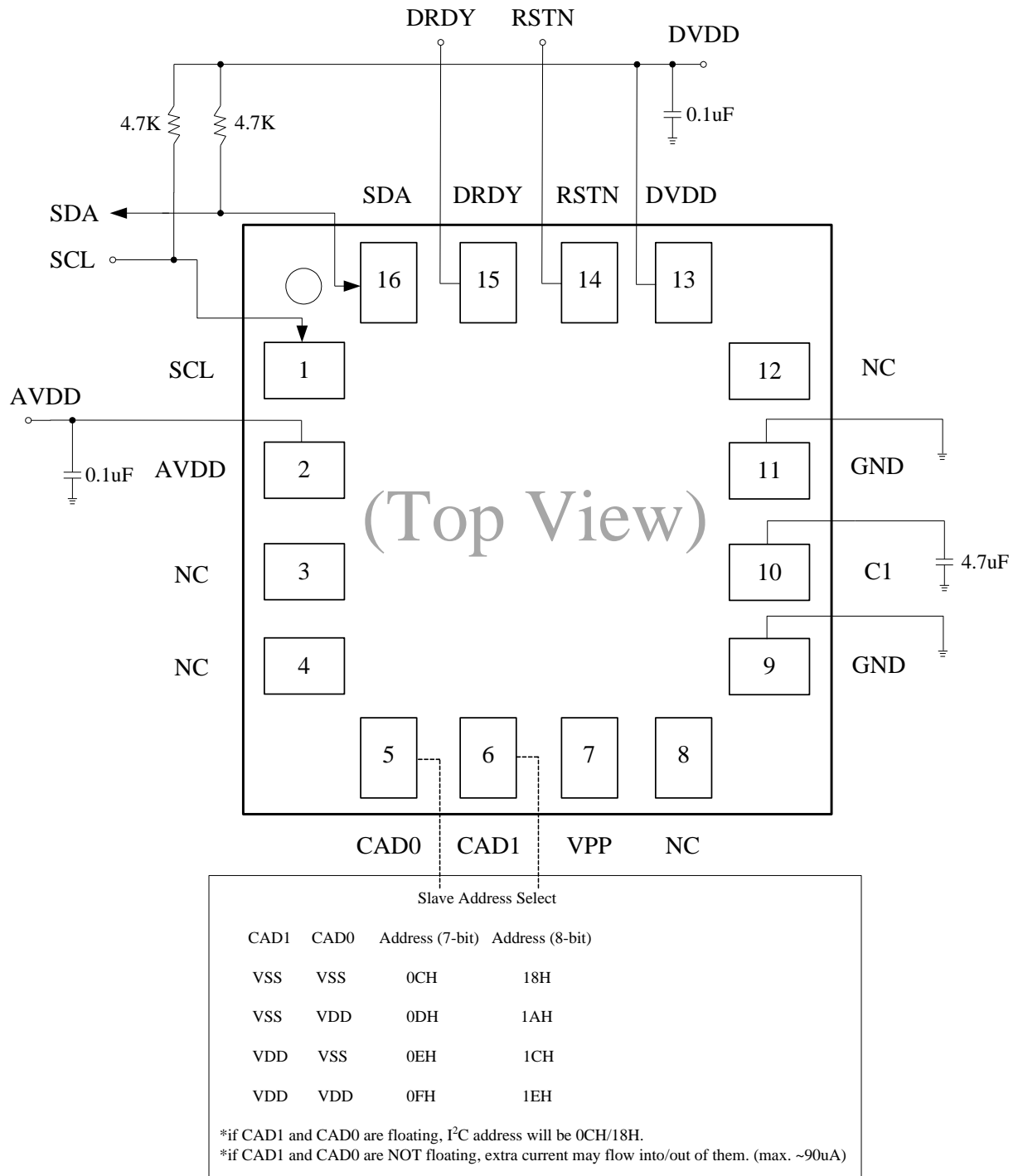


Figure 2. Application Circuit

3. Electrical Specifications

3.1. Absolute Maximum Ratings

Parameter	Symbol	Limits	Unit
Storage Temperature	TSTG	-40 to +150	°C
Analog Supply Voltage	AVDD	-0.5 to +3.6	V
Digital Supply Voltage	DVDD	-0.5 to +3.6	V
Digital Input Voltage	VIN	-0.3 to DVDD + 0.3	V
Electrostatic Discharge Voltage* ¹	VESD HBM	-4000 to 4000	V
Electrostatic Discharge Voltage* ²	VESD MM	-300 to 300	V
Electrostatic Discharge Voltage* ³	VESD CDM	-700 to 700	V
Reflow Classification	JESD22-A113 with 260 °C Peak Temperature		

1. Human Body Model (HBM)
2. Machine Model (MM)
3. Charge Device Model (CDM)

3.2. Recommended Operating Conditions

Parameter	Symbol	Min.	Typ.	Max.	Unit
Operating Temperature	TA	-40		+125	°C
Analog Supply Voltage	AVDD	2.4	3.3	3.6	V
Digital Supply Voltage	DVDD	1.72	1.8	3.6	V

3.3. Electrical Specifications

(Operating conditions: TA = +25 °C; AVDD = 2.5 V; DVDD = 1.8 V; 4.7 µF ceramic capacitors tied to C1 pin with maximum allowed line width and 5 mm distance.)

Parameter	Symbol	Conditions	Min.	Typ.	Max	Unit
Operating Current	IDD3A	Full operation with OSR* ¹ = 2 setting, 10 sps 20 sps 50 sps 100 sps 200 sps		120 220 520 950 1850		µA
Suspend Current	ISPD			2		µA
Output Data Rate (ODR)	ODR				200* ²	Hz
Input Low Voltage	VIL		0		DVDD *30%	V
Input High Voltage	VIH		DVDD *70%		DVDD	V

Output Low Voltage	VOL	IOL = +4 mA	0		DVDD *20%	V
Output High Voltage	VOH	IOH = -100 uA (Except SCL and SDA)	DVDD *80%		DVDD	V

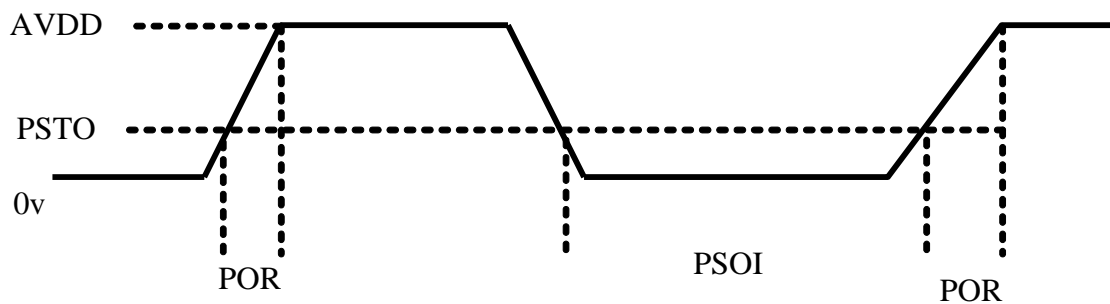
1. Register OSRCNTL(0x41) controls OSR setting.
2. 200 Hz ODR can be achieved with OSR ≤ 8.

3.4. Magnetic Sensor Specifications

(Operating conditions: TA = +25 °C; AVDD = 2.5 V; DVDD = 1.8 V; 4.7 μF ceramic capacitors tied to C1 pin with maximum allowed line width and 5 mm distance.)

Parameter	Symbol	Condition	Min.	Typ.	Max	Unit
Dynamic Range	DR	TA = 25 °C		±500		uT
Linearity	LIN	±200 uT		0.1		%FS
Resolution	RESO	DR setting: ±200 uT		0.075		uT/LSB
		DR setting: ±500 uT		0.15		
Sensitivity	SEN	DR setting: ±200 uT		13.2		LSB/uT
		DR setting: ±500 uT		6.6		
Zero Gauss Offset	ZGD			±0.3		uT
Hysteresis	HS			0.1		%FS
Sensitivity Temperature Drift	TD_S	-40 ~ 85 °C		±0.023		%/°C
Zero-B Offset Temperature Drift	TD_O	-40 ~ 85 °C		0.027		uT/°C

3.5. Power On Reset (POR) Specifications



PSTO: Power Supply Turn Off voltage
 PSOI: Power Supply Turn Off Interval
 POR: Power On Reset

PSTO: max=0.7volt
 PSOI: min=10ms
 POR: max:50ms

When POR circuit detects a rise of AVDD voltage, it resets all internal circuits and initializes all registers. After reset, IST8308 transits to Standby mode.

4. Technology Overview

4.1. AMR Technology

IST8308, an iSentek patented magnetometer is designed based on Anisotropy Magnetoresistance (AMR) technology. The output is generated from the resistance change of the AMR resistors as external magnetic field varies. The sensitivity is approximately 50 to 200 times greater than conventional Hall elements. The high sensitivity allows a higher output data rate (ODR), lower noise, and lower power consumption.

4.2. High Reliability Planarized Structure Design

IST8308 consists of three full Wheatstone Bridges of AMR resistors. The three bridges detecting magnetic components in three orthogonal directions are wire-bonded to a control ASIC on a single chip. This planarized structure design enables outstanding stability to thermal shock, making our device highly reliable, whereas other known AMR magnetometers with z-axis sensors placed vertically on the substrate using 90-degree flip-chip packaging suffer from reliability issues

4.3. Ultra-low Hysteresis Design

iSentek has developed a specialized high permeability (μ) material for magnetic field detection. This high- μ material has ultra-low residual magnetization below 0.1 %FS in the field range as large as ± 500 G. The ultra-low hysteresis design prevents the magnetometer from experiencing dynamic offset after encountering a strong external magnetic field impact; that is, the angular accuracy is restored automatically without calibration after the removal of interference field. This feature fulfills the requirements for applications when real-time calibration is unavailable. No calibration is required in general conditions.

4.4. Magnetic Setting Mechanism

AMR sensing resistors consist of permalloy thin film and metallization. Permalloy is a soft magnetic material. Irreversible magnetic rotation may occur when the strength of external magnetic field exceeds half of the anisotropy field of the sensing resistor, resulting in angular error induced by offset. To solve this issue, a magnetic setting mechanism has been introduced in IST8310. A magnetic field is generated within IST8310 to align the magnetization of AMR sensing resistors before every measurement. This auto-zeroing mechanism ensures the stability of IST8308's angular accuracy throughout the operation.

5. Ordering Information

Order Number	Package Type	Packaging	Marking Information
IST8308	LGA – 16 pin	Tape and Reel: 5k pieces per reel	<p>X₁X₂X₃X₄ 008●</p> <p>X₁: Last number of the year X₂X₃: Week number X₄: Lot number 008: Product code of IST8308</p>

For more information on iSenteK’s magnetic sensors, please send an email to sales@isenteK.com or visit our website at www.isenteK.com.

US Patent 9,297,863, Taiwanese Patents I437249, I420128 and I463160 apply to our magnetic sensor technology described.

6. Legal Disclaimer

6.1. Warranty and Liability Disclaimer

iSenteK Inc. guarantees the information in this datasheet. It is assumed that the specification is accurate and reliable. However, iSenteK Inc. makes no warranties or claims regarding the accuracy or completeness of this information and takes no responsibility for the use of the information, nor does it convey any license under its patent rights or the rights of third parties.

iSenteK Inc. shall not be liable for any consequential, incidental, indirect, or punitive damages (including, but not limited to, profit loss, business interruption, and further expenses related to the removal, replacement, or rework of any products).

6.2. Application Disclaimer

iSenteK's products are unsuitable for life-critical and safety-critical applications. For the use of its products in such applications, iSenteK disclaims all liability. The customer agrees to indemnify and hold iSenteK harmless from and against all liabilities and losses.

6.3. Disclaimer Regarding Changes

iSenteK reserves the right to modify the contents of this datasheet, including specifications and descriptions, at any time and without prior notice. This document supersedes all previously issued information.